

# SMPS LED CONVERTER

## For outdoor installation



### CERTIFICATE

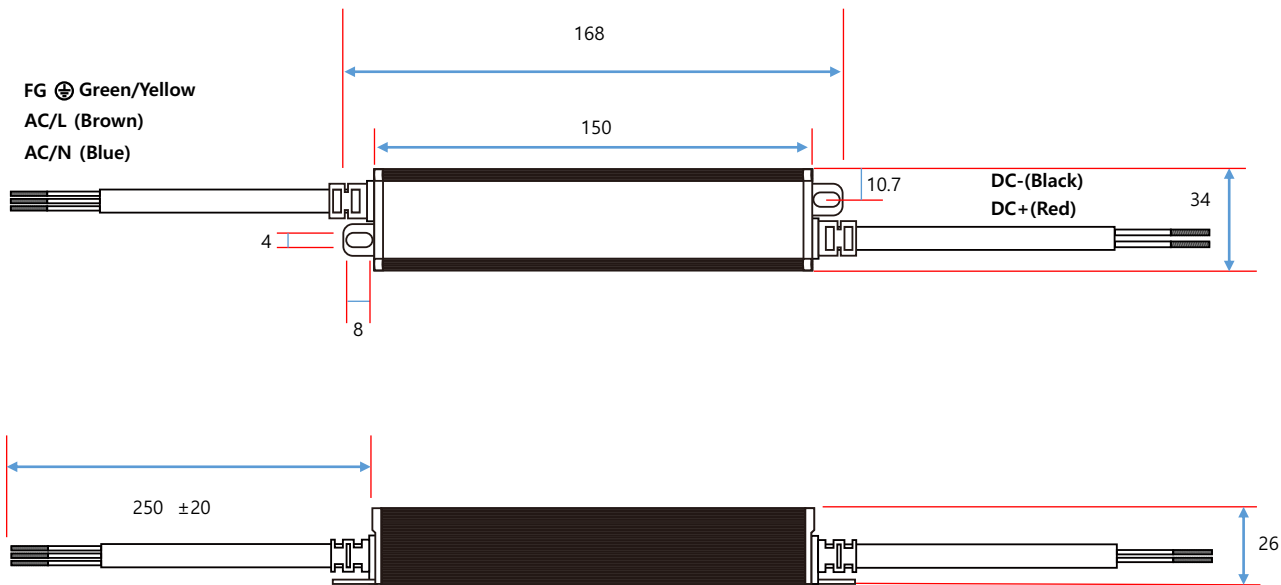


### FEATURES

- Constant Voltage (C.V mode)
- AC Input voltage 200-240VAC
- High efficiency up to 93% (Premium)
- Design for outdoor sign installations (IP68)
- Safety Standard CE, CB, BIS, KC
- OCP, SCP, OTP Protections
- Aluminum Case

### DIMENSIONS 168×34×26(mm)

[unit:mm]



※ Specification subject to change without notice.

SPECIFICATION

MODEL		OMS - EP60W - 12V - CV	OMS - EP60W - 24V - CV
INPUT	Voltage Range	AC200V-240V	
	Input Power	60W	
	Frequency Range	50/60Hz	
	Efficiency	93%	
	AC Current	0.6A	
	Inrush Current	50A	
OUTPUT	DC Voltage	12V	24V
	Rated current	4.6A	2.3A
	Line & Load Regulation	±5%	
	Ripple & Noise(max)	200mVp-p	
	Setup, Rising Time	1sec	
PROTECTION	Short Circuit	Auto restart mode	
	Over Current	Auto restart mode	
	Over Temperature	Latch mode	
ISOLATION	Withstand Voltage	P-S 3.75KV 10mA	
	Isolation Resistance	500V 100MΩ	
ENVIRONMENT	Working Temp & Humidity	-20~50°C, 20~85%RH	
	Storage Temp & Humidity	-20~75°C, 5~95%RH	
OTHERS	EMI	Cisper22 Class B	
	Surge	L-N : ±2KV / L-F.G : ±4KV	
	Dimension / Weight	168*34*26 / 0.24Kgs	
	Molding material	Silicon	

※ Specification subject to change without notice.

# SMPS LED CONVERTER

For outdoor installation

## CERTIFICATE

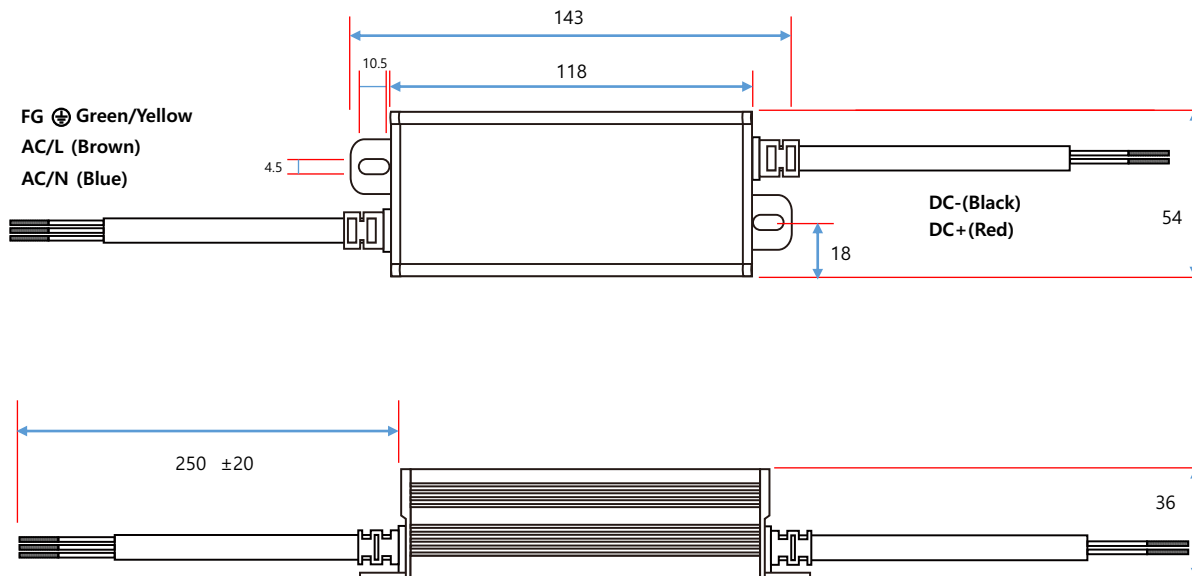


## FEATURES

- Constant Voltage (C.V mode)
- AC Input voltage 170-240VAC
- High efficiency up to 92% (Premium)
- Design for outdoor sign installations (IP68)
- Safety Standard CE, CB, BIS, KC
- OCP, SCP, OTP Protections
- Aluminum Case

DIMENSIONS 143×54×36(mm)

[unit:mm]



※ Specification subject to change without notice.

## SPECIFICATION

MODEL		OMS - EP100F - 12V - CV	OMS - EP100F - 24V - CV
INPUT	Voltage Range	AC170V-240V	
	Input Power	108W	
	Frequency Range	50/60Hz	
	Efficiency	92%	
	AC Current	0.9A	
	Inrush Current	50A	
OUTPUT	DC Voltage	12V	24V
	Rated current	8.3A	4.15A
	Line & Load Regulation	±5%	
	Ripple & Noise(max)	200mVp-p	
	Setup, Rising Time	1sec	
PROTECTION	Short Circuit	Auto restart mode	
	Over Current	Auto restart mode	
	Over Temperature	Latch mode	
ISOLATION	Withstand Voltage	P-S 3.75KV 10mA	
	Isolation Resistance	500V 100MΩ	
ENVIRONMENT	Working Temp & Humidity	-20~50°C, 20~85%RH	
	Storage Temp & Humidity	-20~75°C, 5~95%RH	
OTHERS	EMI	Cisper22 Class B	
	Surge	L-N : ±2KV / L-F.G : ±4KV	
	Dimension / Weight	143*54*36 / 0.35Kgs	
	Molding material	Silicon	

※ Specification subject to change without notice.

# SMPS LED CONVERTER

For outdoor installation

## CERTIFICATE

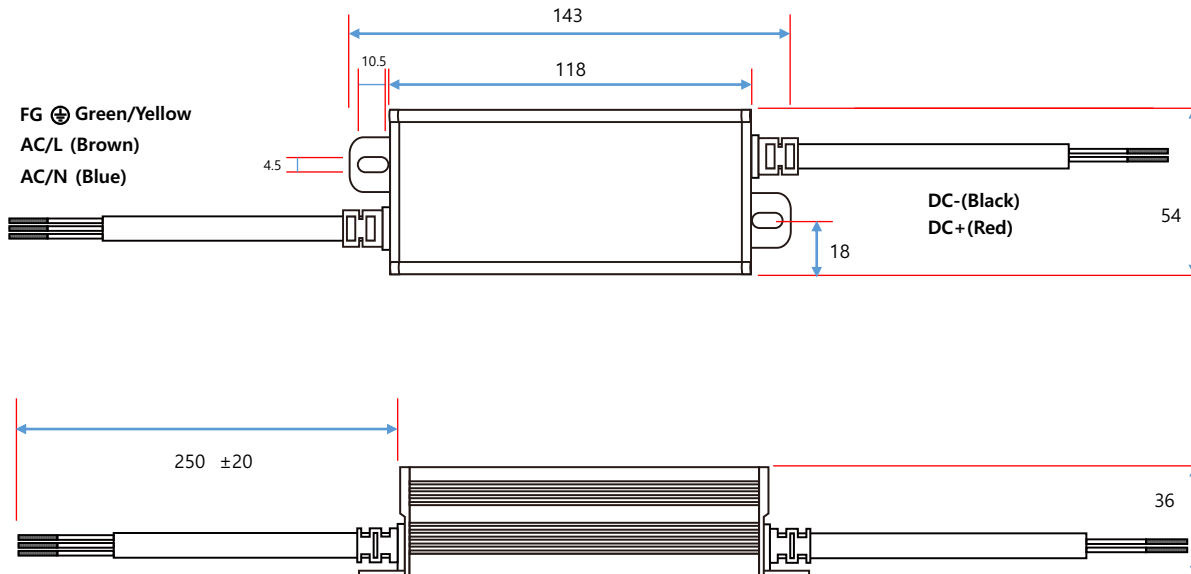


## FEATURES

- Constant Voltage (C.V mode)
- AC Input voltage 170-240VAC
- High efficiency up to 92% (Premium)
- Design for outdoor sign installations (IP68)
- Safety Standard CE, CB, BIS, KC
- OCP, SCP, OTP Protections
- Aluminum Case

DIMENSIONS 143×54×36(mm)

[unit:mm]



※ Specification subject to change without notice.

## SPECIFICATION

MODEL		OMS - EP150F - 12V - CV	OMS - EP150F - 24V - CV
INPUT	Voltage Range	AC170V-240V	
	Input Power	163W	
	Frequency Range	50/60Hz	
	Efficiency	92%	
	AC Current	1.2A	
	Inrush Current	50A	
OUTPUT	DC Voltage	12V	24V
	Rated current	12.5A	6.25A
	Line & Load Regulation	±5%	
	Ripple & Noise(max)	200mVp-p	
	Setup, Rising Time	1sec	
PROTECTION	Short Circuit	Auto restart mode	
	Over Current	Auto restart mode	
	Over Temperature	Latch mode	
ISOLATION	Withstand Voltage	P-S 3.75KV 10mA	
	Isolation Resistance	500V 100MΩ	
ENVIRONMENT	Working Temp & Humidity	-20~45°C, 20~85%RH	
	Storage Temp & Humidity	-20~75°C, 5~95%RH	
OTHERS	EMI	Cisper22 Class B	
	Surge	L-N : ±2KV / L-F.G : ±4KV	
	Dimension / Weight	143*54*36 / 0.35Kgs	
	Molding material	Silicon	

※ Specification subject to change without notice.

# SMPS LED CONVERTER

For outdoor installation

## CERTIFICATE

CE CB IP68

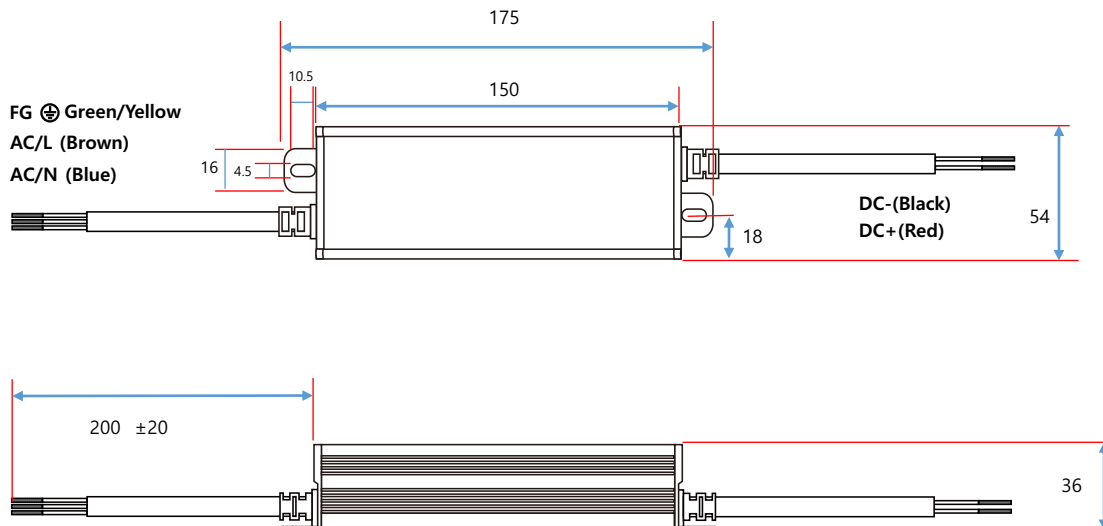


## FEATURES

- Constant Voltage (C.V mode)
- AC Input voltage 170-240VAC
- High efficiency up to 92% (Premium)
- Design for outdoor sign installations (IP68)
- Safety Standard CE & CB & BIS
- OCP, SCP, OTP Protections
- Aluminum Case

DIMENSIONS 175×54×36(mm)

[unit:mm]



※ Specification subject to change without notice.

## SPECIFICATION

MODEL		OMS - EP200F - 12V - CV	OMS - EP200F - 24V - CV
INPUT	Voltage Range	AC170V-240V	
	Input Power	217W	
	Frequency Range	50/60Hz	
	Efficiency	92%	
	AC Current	1.7A	
	Inrush Current	50A	
OUTPUT	DC Voltage	12V	24V
	Rated current	16.6A	8.3A
	Line & Load Regulation	±5%	
	Ripple & Noise(max)	200mVp-p	
	Setup, Rising Time	1sec	
PROTECTION	Short Circuit	Auto restart mode	
	Over Current	Auto restart mode	
	Over Temperature	Latch mode	
ISOLATION	Withstand Voltage	P-S 3.75KV 10mA	
	Isolation Resistance	500V 100MΩ	
ENVIRONMENT	Working Temp & Humidity	-20~50°C, 20~85%RH	
	Storage Temp & Humidity	-20~75°C, 5~95%RH	
OTHERS	EMI	Cisper22 Class B	
	Surge	L-N : ±2KV / L-F.G : ±4KV	
	Dimension / Weight	175*54*36 / 0.45Kgs	
	Molding material	Silicon	

※ Specification subject to change without notice.



# SMPS LED CONVERTER

For outdoor installation

## CERTIFICATE

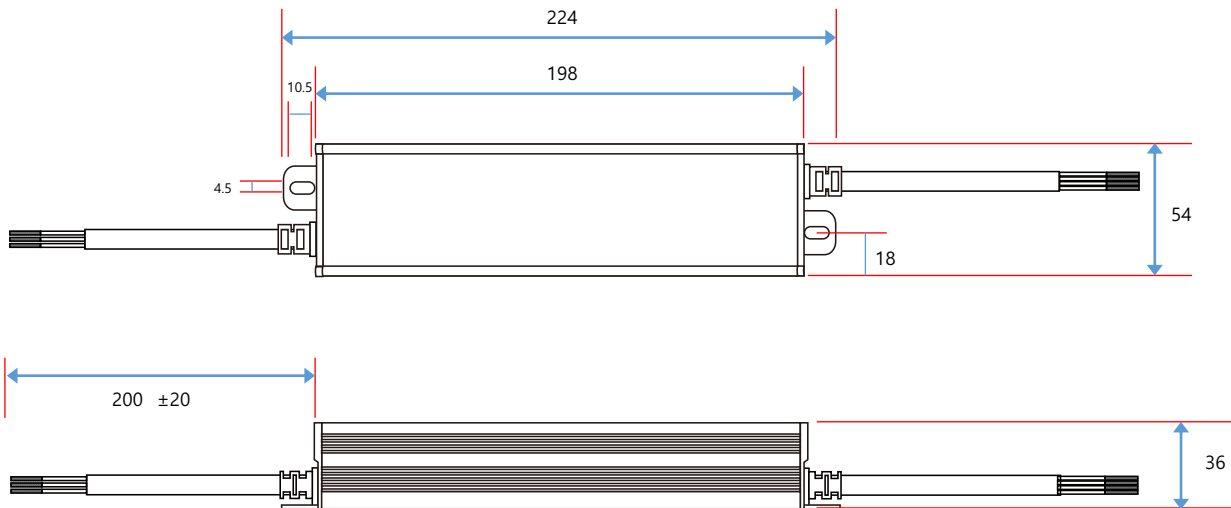


## FEATURES

- Constant Voltage (C.V mode)
- AC Input voltage 170-240VAC
- High efficiency up to 92% (Premium)
- Design for outdoor sign installations (IP68)
- Safety Standard CE & CB & BIS
- OCP, SCP, OTP Protections
- Aluminum Case

## DIMENSIONS 224×54×36(mm)

[unit:mm]



※ Specification subject to change without notice.

SPECIFICATION

<b>MODEL</b>	OMS - EP300F - 12V - CV	OMS - EP300F - 24V - CV
--------------	-------------------------	-------------------------

<b>INPUT</b>	Voltage Range	AC170V-240V	
	Input Power	325W	
	Frequency Range	50/60Hz	
	Efficiency	92%	
	AC Current	2.6A	
	Inrush Current	50A	

<b>OUTPUT</b>	DC Voltage	12V	24V
	Rated current	25A	12.5A
	Line & Load Regulation	±5%	
	Ripple & Noise(max)	200mVp-p	
	Setup, Rising Time	1sec	

<b>PROTECTION</b>	Short Circuit	Auto restart mode	
	Over Current	Auto restart mode	
	Over Temperature	Latch mode	

<b>ISOLATION</b>	Withstand Voltage	P-S 3.75KV 10mA	
	Isolation Resistance	500V 100MΩ	

<b>ENVIRONMENT</b>	Working Temp & Humidity	-20~50°C, 20~85%RH	
	Storage Temp & Humidity	-20~75°C, 5~95%RH	

<b>OTHERS</b>	EMI	Cisper22 Class B	
	Surge	L-N : ±2KV / L-F.G : ±4KV	
	Dimension / Weight	224*54*36 / 0.65Kgs	
	Molding material	Silicon	

※ Specification subject to change without notice.

# SMPS LED CONVERTER

## For outdoor installation



### CERTIFICATE

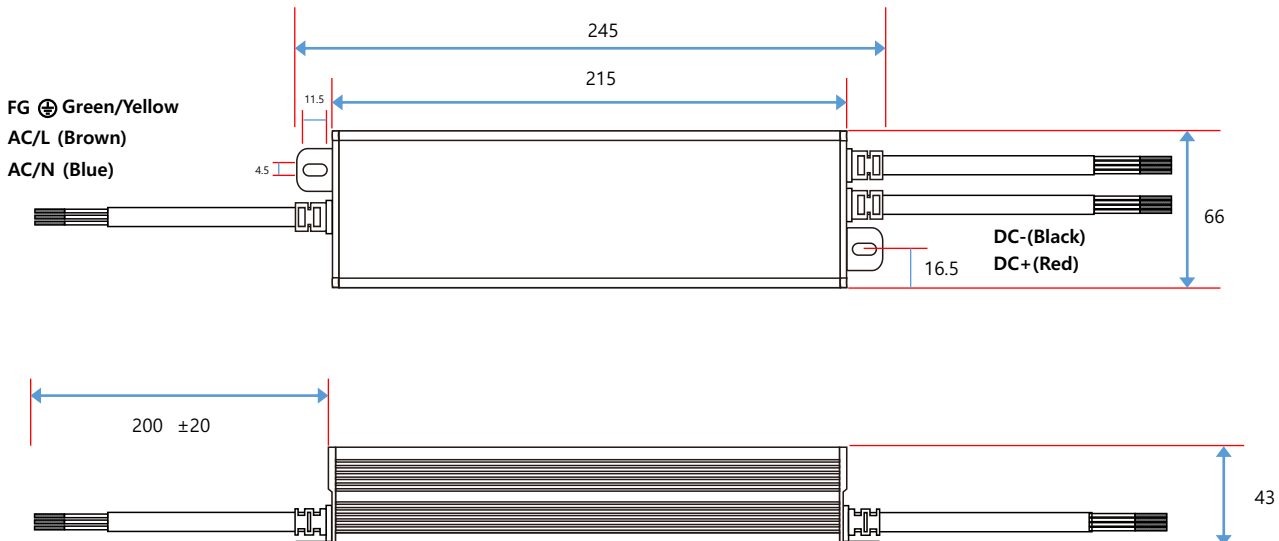


### FEATURES

- Constant Voltage (C.V mode)
- AC Input voltage 200-240VAC
- High efficiency up to 93% (Premium)
- Design for outdoor sign installations (IP68)
- Safety Standard CE & CB & BIS
- OCP, SCP, OTP Protections
- Aluminum Case

**DIMENSIONS** 245×66×43(mm)

[unit:mm]



※ Specification subject to change without notice.

SPECIFICATION

MODEL		OMS - EP400W - 12V - CV	OMS - EP400W - 24V - CV
INPUT	Voltage Range	AC200V-240V	
	Input Power	400W	
	Frequency Range	50/60Hz	
	Efficiency	93%	
	AC Current	3.05A	
	Inrush Current	50A	
OUTPUT	DC Voltage	12V	24V
	Rated current	31A	15.5A
	Line & Load Regulation	±5%	
	Ripple & Noise(max)	200mVp-p	
	Setup, Rising Time	1sec	
PROTECTION	Short Circuit	Auto restart mode	
	Over Current	Auto restart mode	
	Over Temperature	Latch mode	
ISOLATION	Withstand Voltage	P-S 3.75KV 10mA	
	Isolation Resistance	500V 100MΩ	
ENVIRONMENT	Working Temp & Humidity	-20~50°C, 20~85%RH	
	Storage Temp & Humidity	-20~75°C, 5~95%RH	
OTHERS	EMI	Cisper22 Class B	
	Surge	L-N : ±2KV / L-F.G : ±4KV	
	Dimension / Weight	245*66*43 / 1.04Kgs	
	Molding material	Silicon	

※ Specification subject to change without notice.